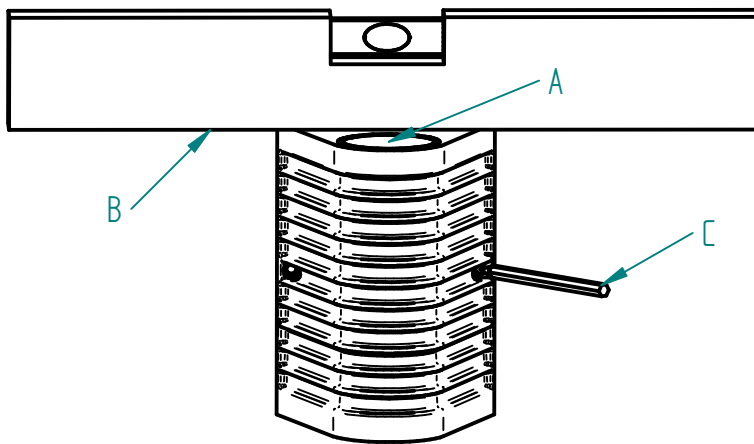
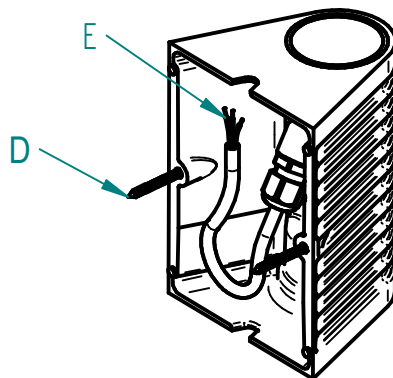


# Installation instruction ERUCA\_49

0. The installation should be carried out by qualified personnel only.
1. Ensure voltage and frequency match values shown through rear window(A).
2. Hold luminaire to wall at desired location and use water scale (B) to bring it in horizontal orientation. Use pencil(C) to mark fixing hole positions. Drill holes for wall plugs suiting ST4.2 wood screws(D).



3. Disconnect mains power before terminating wires(E) hanging out from back of luminaire (brown = phase, blue = neutral, yellow/green = earth, black = "+", grey = "-"). Seal electrical connection as needed, ideally with an IP68 connector.
4. Fix luminaire to wall with two stainless steel wood screws(D) size ST4.2. Take care not to squeeze the cables on the back of luminaire.



Ta = 40°C, IP66

# Accessories for ERUCA\_49

